

## IWB20



### Characteristics

#### Optics

- Polycarbonate Diffuser
- High transmission 90%
- Non-Removable

#### Thermal Interface Material

- High thermal conductivity
- Excellent heat transfer

#### Heat sink

- Aluminium - powder coated
- Excellent thermal conductivity

#### LED Driver

- Rated Supply: 240V AC, 50/60Hz
- PF > 0.95, THD <10%,
- Short circuit, open circuit,
- O/V, U/V protection

#### Standards Compliance

- IS 10322
- IS 15885 ( Part 2/Sec 13)

#### Mounting

- Surface

#### Installation

- Easy installation

#### Weight

- 0.45 Kg

#### Cable Entry

- 1 Nos.

### Housing Color

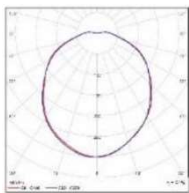


Powder Coated – Black (RAL 9005)



Powder Coated – Grey (RAL 7024)

### Distribution Curve



### Features

- Soft and comfortable light to relieve the fatigue of eyes.
- Excellent CRI for actual colour reproduction.
- Energy saving efficiency and low heat produce.
- AL die-cast housing for excellent heat management.
- Quick installation, special design,
- Highly reliable professional design.

### Applications

- Pathways, Corridor, Staircase,
- Wall Surface, Tunnels, Garden Wall



10W / 15W / 20W



90 lm/W



6500K / 5700K / 5000K / 3000K



>70



Diffused – Wide >160°



140-270V AC, 50Hz



ILS



In-Built, Surge DM 4Kv CM 6Kv



Non dimmable / 1-10V / DALI



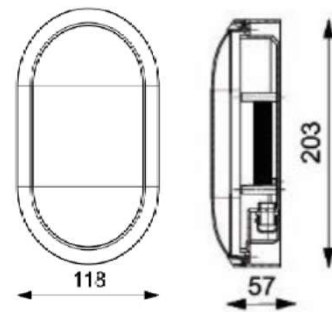
SMD, Lumiled / Osram / Bridgelux, SDCM <3



Ta: -10°C to 45°C



Lifespan >50000h @ L70 B50



# Weatherproof Bulk Head - Ovlis



## Product Code

Product Code	System Power (W)	System Lumen (Lm)	CRI (Ra)	Color Temp (CCT)	Body Color	Beam Angle	Diming	Weight (Kg)
IWB20-010SS757GDNXX	10	900	70	5700K	Grey	Diffused	Non-Dim	0.45
IWB20-015SS757GDNXX	15	1350	70	5700K	Grey	Diffused	Non-Dim	0.45
IWB20-020SS757GDNXX	20	1800	70	5700K	Grey	Diffused	Non-Dim	0.45

## Custom Order

## Accessories

