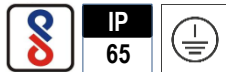


IWF51



Features

- Soft and comfortable light to relieve the fatigue of eyes.
- Excellent CRI for actual colour reproduction.
- Energy saving efficiency and low heat produce.
- AL die-cast housing for excellent heat management.
- Quick installation, special design,
- Highly reliable professional design.

Applications

- Industry, Ware-house,
- Airport, Shopping Mall, Parking Lot,
- Sports Hall,



Characteristics

Optics

- Polycarbonate Lens with glass
- High transmission 88%
- Non-Removable

Thermal Interface Material

- High thermal conductivity
- Excellent heat transfer

Heat sink

- Aluminium - powder coated
- Excellent thermal conductivity

LED Driver

- Rated Supply: 240V AC, 50/60Hz
- PF > 0.95, THD <10%,
- Short circuit, open circuit,
- O/V, U/V protection

Standards Compliance

- IS 10322
- IS 15885 (Part 2/Sec 13)
- EN 61000-3-2, Harmonics Current
- EN 61000-3-3, Voltage Fluctuations, Flicker
- EN 61000-4-5, Surge Immunity

Mounting

- U Clamp

Installation

- Easy installation

Weight

- 1.5 Kg

Cable

- 3 core – 250mm.



70W / 80W / 100W



120 lm/W (±5%)



5700K / 4000K / 3000K



>70



PC Lens – 60° / 90°



140-270V AC, 50Hz



ILS



In-Built, Surge 4Kv



Non dimmable / 1-10V / DALI



SMD-5050, Seoul / Bridgelux, SDCM <3



Ta: -10°C to 45°C



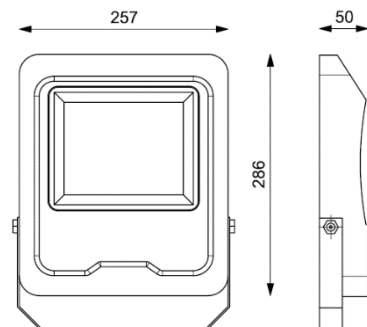
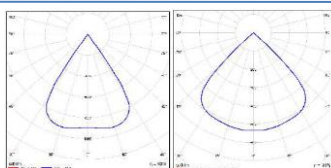
Lifespan >50000h @ L70 B50

Housing Color



Powder Coated – Grey (RAL 7024)

Distribution Curve



Product Code



Product Code	System Power (W)	System Lumen (Lm)	CRI (Ra)	Color Temp (CCT)	Body Color	Beam Angle	Diming	Weight (Kg)
IWF51-070SU757GMNXX	70	8400	70	5700K	Grey	60°	Non-Dim	1.5
IWF51-070SU757GWNXX	70	8400	70	5700K	Grey	90°	Non-Dim	1.5
IWF51-070SU757GMNXX	80	9600	70	5700K	Grey	60°	Non-Dim	1.5
IWF51-070SU757GWNXX	80	9600	70	5700K	Grey	90°	Non-Dim	1.5
IWF51-070SU757GMNXX	100	12000	70	5700K	Grey	60°	Non-Dim	1.5
IWF51-070SU757GWNXX	100	12000	70	5700K	Grey	90°	Non-Dim	1.5

Custom Order

Accessories

