

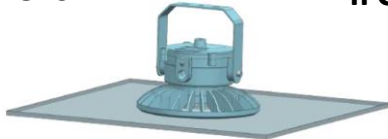
**Ex d IIC T6**



**IFC40**



**IFC41**



**IFC42**



## Features

- Fire & Ignition proof.
- Soft and comfortable light to relieve the fatigue of eyes.
- Excellent CRI for actual colour reproduction.
- Energy saving efficiency and low heat produce.
- AL die-cast housing for excellent heat management.
- Quick installation, special design,
- Highly reliable professional design.

## Applications

- Hospitals,
- Food processing Industry
- Pharmaceutical Industry



## Characteristics

### Optics

- Borosilicate Glass Lens
- High transmission 80%
- Non-Removable

### Thermal Interface Material

- High thermal conductivity
- Excellent heat transfer

### Heat sink

- Aluminium - powder coated
- Excellent thermal conductivity

### LED Driver

- Rated Supply: 240V AC, 50/60Hz
- PF > 0.95, THD <10%,
- Short circuit, open circuit,
- O/V, U/V protection

### Standards Compliance

- IS/IEC 60079-1 : 2014
- Cat. No.: ILS/1232
- IS 15885 ( Part 2/Sec 13)
- EN 61000-3-2, Harmonics Current
- EN 61000-3-3, Voltage Fluctuations, Flicker
- EN 61000-4-5, Surge Immunity
- EN 61547, EMC

### Mounting

- Recess

### Installation

- Easy installation

### Weight

- 5.0Kg

### Cable Entry

- M20-2 Nos.



45W / 60W / 70W / 75W



120 lm/W



6500K / 5000K / 3000K



>70



Glass Lens – 120°



90-305V AC, 50Hz



Inventronics / Fulham



In-Built, Surge DM 4Kv CM 6Kv



Non dimmable / 1-10V / DALI



COB, Citizen / Bridgelux , SDCM <3



Ta: -10°C to 45°C



Lifespan >50000h @ L70 B50

## Housing Color

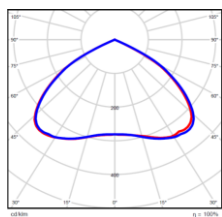


Powder Coated – Light Grey Glossy (RAL631)



Powder Coated – DA Grey Glossy (RAL-7021)

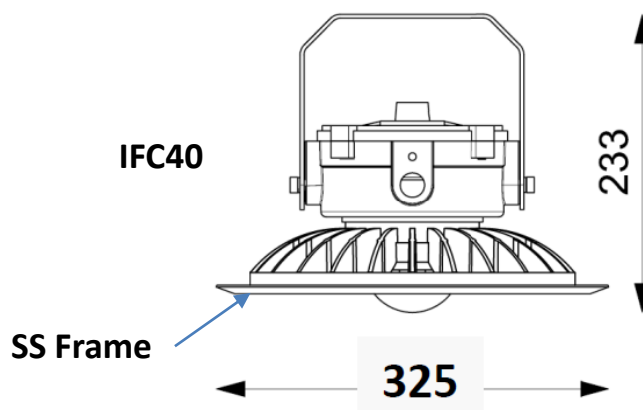
## Distribution Curve



## Product Code



Product Code	System Power (W)	System Lumen (Lm)	CRI (Ra)	Color Temp (CCT)	Body Color	Beam Angle	Diming	Weight (Kg)
IFC40-045CR765GENXX	45	5400	70	6500K	Grey	120°	Non-Dim	5.0
IFC40-060CR765GENXX	60	7200	70	6500K	Grey	120°	Non-Dim	5.0
IFC40-070CR765GENXX	70	8400	70	6500K	Grey	120°	Non-Dim	5.0
IFC40-045CR765GEAXX	45	5400	70	6500K	Grey	120°	1-10V	5.0
IFC40-060CR765GEAXX	60	7200	70	6500K	Grey	120°	1-10V	5.0
IFC40-070CR765GEAXX	70	8400	70	6500K	Grey	120°	1-10V	5.0
IFC40-045CR765GEDXX	45	5400	70	6500K	Grey	120°	DALI	5.0
IFC40-060CR765GEDXX	60	7200	70	6500K	Grey	120°	DALI	5.0
IFC40-070CR765GEDXX	70	8400	70	6500K	Grey	120°	DALI	5.0



## Custom Order



## Accessories



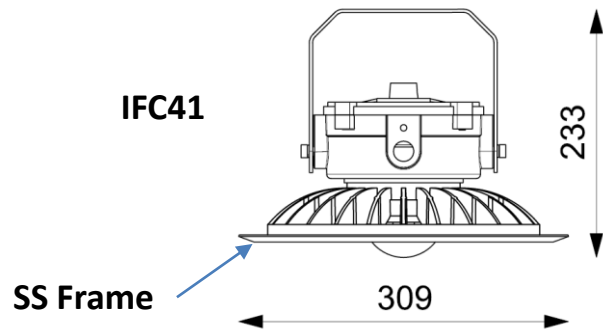
1 Oct 2020-31 Dec 2020



## Product Code



Product Code	System Power (W)	System Lumen (Lm)	CRI (Ra)	Color Temp (CCT)	Body Color	Beam Angle	Diming	Weight (Kg)
IFC41-045CR765GENXX	45	5400	70	6500K	Grey	120°	Non-Dim	5.0
IFC41-060CR765GENXX	60	7200	70	6500K	Grey	120°	Non-Dim	5.0
IFC41-070CR765GENXX	70	8400	70	6500K	Grey	120°	Non-Dim	5.0
IFC41-045CR765GEAXX	45	5400	70	6500K	Grey	120°	1-10V	5.0
IFC41-060CR765GEAXX	60	7200	70	6500K	Grey	120°	1-10V	5.0
IFC41-070CR765GEAXX	70	8400	70	6500K	Grey	120°	1-10V	5.0
IFC41-045CR765GEDXX	45	5400	70	6500K	Grey	120°	DALI	5.0
IFC41-060CR765GEDXX	60	7200	70	6500K	Grey	120°	DALI	5.0
IFC41-070CR765GEDXX	70	8400	70	6500K	Grey	120°	DALI	5.0



## Custom Order

## Accessories



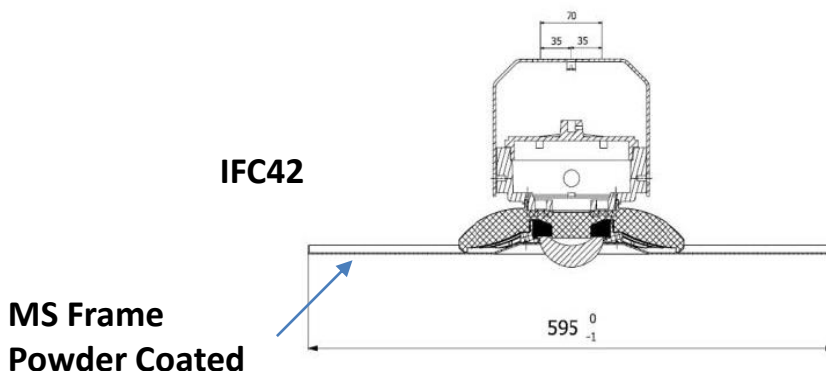
1 Oct 2020-31 Dec 2020



## Product Code



Product Code	System Power (W)	System Lumen (Lm)	CRI (Ra)	Color Temp (CCT)	Body Color	Beam Angle	Diming	Weight (Kg)
IFC42-045CR765GENXX	45	5400	70	6500K	Grey	120°	Non-Dim	5.5
IFC42-060CR765GENXX	60	7200	70	6500K	Grey	120°	Non-Dim	5.5
IFC42-070CR765GENXX	70	8400	70	6500K	Grey	120°	Non-Dim	5.5
IFC42-045CR765GEAXX	45	5400	70	6500K	Grey	120°	1-10V	5.5
IFC42-060CR765GEAXX	60	7200	70	6500K	Grey	120°	1-10V	5.5
IFC42-070CR765GEAXX	70	8400	70	6500K	Grey	120°	1-10V	5.5
IFC42-045CR765GEDXX	45	5400	70	6500K	Grey	120°	DALI	5.5
IFC42-060CR765GEDXX	60	7200	70	6500K	Grey	120°	DALI	5.5
IFC42-070CR765GEDXX	70	8400	70	6500K	Grey	120°	DALI	5.5



## Custom Order

## Accessories



1 Oct 2020-31 Dec 2020