

## IWH60



Reflector Option



### Characteristics

#### Optics

- Polycarbonate Lens
- High transmission 88%
- Non-Removable

#### Thermal Interface Material

- High thermal conductivity
- Excellent heat transfer

#### Heat sink

- Aluminium - powder coated
- Excellent thermal conductivity

#### LED Driver

- Rated Supply: 240V AC, 50/60Hz
- PF > 0.95, THD <10%
- Short circuit, Over Voltage, Over Temperature
- O/V, U/V protection

#### Standards Compliance

- IS 10322
- IS 15885 ( Part 2/Sec 13)
- EN 61000-3-2, Harmonics Current
- EN 61000-3-3, Voltage Fluctuations, Flicker
- EN 61000-4-5, Surge Immunity
- EN 61547, EMC

#### Mounting

- Eye Bolt

#### Installation

- Easy installation

#### Weight

- 2.6 Kg, 3.0Kg with Reflector

#### Cable Entry

- 1 Nos.

### Housing Color

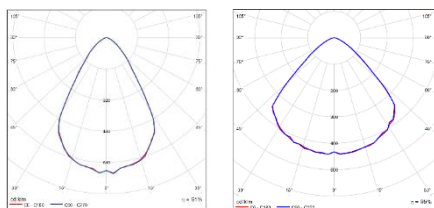


Powder Coated – Black (RAL 9005)



Powder Coated – White (RAL 9016)

### Distribution Curve



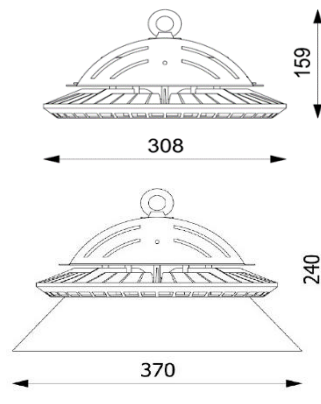
### Features

- Soft and comfortable light to relieve the fatigue of eyes.
- Excellent CRI for actual colour reproduction.
- Energy saving efficiency and low heat produce.
- AL die-cast housing for excellent heat management.
- 440V Protection for 2 Hrs. with thermal foldback
- Quick installation, special design.
- Highly reliable professional design.

### Applications

- Industry, Ware-house,
- Airport, Shopping Mall, Parking Lot,
- Sports Hall,

- 80W, 100W, 120W
- 130 lm/W
- 6500K / 5700K / 3000K
- >70
- PC Lens – 60° / 90°
- 140-270V AC, 50Hz
- Inventronics
- In-Built, Surge DM 4Kv CM 6Kv
- Non dimmable / 1-10V / DALI
- SMD, Lumiled / Osram / Bridgelux, SDCM <3
- Ta: -10°C to 45°C
- Lifespan >50000h @ L70 B50



## Product Code

Product Code	System Power (W)	System Lumen (Lm)	CRI (Ra)	Color Temp (CCT)	Body Color	Beam Angle	Diming	Weight (Kg)
IWH60-080SE757BMNXX	80	10400	70	5700K	Black	60°	Non-Dim	2.6
IWH60-080SE757BWNXX	80	10400	70	5700K	Black	90°	Non-Dim	2.6
IWH60-100SE757BMNXX	100	13000	70	5700K	Black	60°	Non-Dim	2.6
IWH60-100SE757BWNXX	100	13000	70	5700K	Black	90°	Non-Dim	2.6
IWH60-120SE757BMNXX	120	15600	70	5700K	Black	60°	Non-Dim	2.6
IWH60-120SE757BWNXX	120	15600	70	5700K	Black	90°	Non-Dim	2.6

## Product Code – Reflector option

Product Code	System Power (W)	System Lumen (Lm)	CRI (Ra)	Color Temp (CCT)	Body Color	Beam Angle	Diming	Weight (Kg)
IWH60-080SE757BMNRX	80	10400	70	5700K	Black	60°	Non-Dim	3.0
IWH60-080SE757BWNRX	80	10400	70	5700K	Black	90°	Non-Dim	3.0
IWH60-100SE757BMNRX	100	13000	70	5700K	Black	60°	Non-Dim	3.0
IWH60-100SE757BWNRX	100	13000	70	5700K	Black	90°	Non-Dim	3.0
IWH60-120SE757BMNRX	120	15600	70	5700K	Black	60°	Non-Dim	3.0
IWH60-120SE757BWNRX	120	15600	70	5700K	Black	90°	Non-Dim	3.0

## Custom Order



## Accessories



Reflector Option

XXXXX-XXXXXXXXXXXXRX

↑  
Add R in place of first X

