

IWS60



Characteristics

Optics

- Polycarbonate Lens
- High transmission 88%
- Non-Removable
- Toughened Glass

Thermal Interface Material

- High thermal conductivity
- Excellent heat transfer

Heat sink

- Aluminium - powder coated
- Excellent thermal conductivity

LED Driver

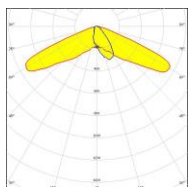
- Rated Supply: 240V AC, 50/60Hz
- PF > 0.95, THD <10%,
- Short circuit, open circuit

Housing Color



Powder Coated – Grey (RAL 7024)

Distribution Curve



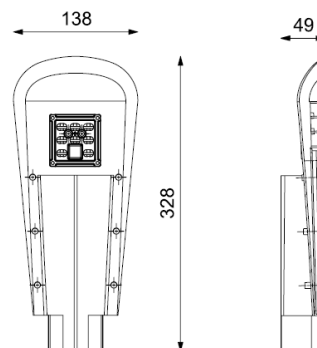
Features

- Soft and comfortable light to relieve the fatigue of eyes.
- Excellent CRI for actual colour reproduction.
- Energy saving efficiency and low heat produce.
- AL die-cast housing for excellent heat management.
- Quick installation, special design,
- Highly reliable professional design.

Applications

- Roadways, Pathways, Highways
- Industry, Ware-house, Airport,
- Shopping Mall, Parking Lot,
- Sports Hall

- 30W / 40W/ 45W
- 110 lm/W
- 6500K / 5700K
- >70
- Polycarbonate Lens - Asymmetric
- 110-320V AC, 50Hz
- Fulham
- In-Built, Surge DM 4Kv
- Non dimmable
- SMD, Bridgelux /Lumiled , SDCM <5
- Ta: -10°C to 45°C
- Lifespan >50000h @ L70 B50



Product Code

Product Code	System Power (W)	System Lumen (Lm)	CRI (Ra)	Color Temp (CCT)	Body Color	Beam Angle	Diming	Weight (Kg)
IWS60-030SP757GONXX	30	3300	70	5700K	Grey	140°x60°	Non-Dim	1.0
IWS60-040SP757GONXX	40	4400	70	5700K	Grey	140°x60°	Non-Dim	1.0
IWS60-045SP757GONXX	45	4950	70	5700K	Grey	140°x60°	Non-Dim	1.0

Custom Order



Accessories



1 Oct 2020-31 Dec 2020