

IFH50

Ex d IIC T5



Features

- Fire & Ignition proof.
- Soft and comfortable light to relieve the fatigue of eyes.
- Excellent CRI for actual colour reproduction.
- Energy saving efficiency and low heat produce.
- AL die-cast housing for excellent heat management.
- Quick installation, special design,
- Highly reliable professional design.

Applications

- Chemical Industry, Paint Industry,
- Fertilizer Industry, Oil & Gas Industry,
- LPG Bottling Industry, Pharma Industry,
- Steel Industry, Cement Industry, Mines
- Refineries & Petrochemicals.



Characteristics

Optics

- Borosilicate Glass Lens
- High transmission 93%
- Non-Removable

Thermal Interface Material

- High thermal conductivity
- Excellent heat transfer

Heat sink

- Aluminium - powder coated
- Excellent thermal conductivity

LED Driver

- Rated Supply: 240V AC, 50/60Hz
- PF > 0.95, THD <10%,
- Short circuit, open circuit,
- O/V, U/V protection

Standards Compliance

- IS/IEC 60079-1 : 2014
- Cat. No.: ILS/1233
- IS 15885 (Part 2/Sec 13)
- EN 61000-3-2, Harmonics Current
- EN 61000-3-3, Voltage Fluctuations, Flicker
- EN 61000-4-5, Surge Immunity
- EN 61547, EMC

Mounting

- Pendant – C- Clamp
- Eye Bolt (Optional)

Installation

- Easy installation

Weight

- 6.3 Kg

Cable Entry

- M20-2 Nos.

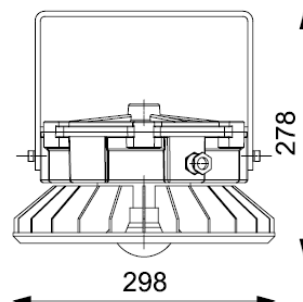
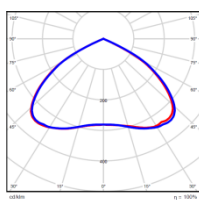
- ⚡ 80W / 100W / 120W / 150W
- ☀️ 120 lm/W
- 📈 6500K / 5000K / 3000K
- Ra** >70
- 🔍 Glass Lens – 120° / 90° / 60°
- 🔌 90-305V AC, 50Hz
- 🔧 Inventronics
- 🔌 In-Built, Surge DM 4Kv CM 6Kv
- 🔍 Non dimmable
- 🌞 COB, Citizen / Bridgelux , SDCM <3
- 🌡️ Ta: -10°C to 45°C
- 🕒 Lifespan >50000h @ L70 B50

Housing Color



Powder Coated – DA Grey Glossy (RAL-7021)

Distribution Curve



Product Code **Ex d IIC T5**



Product Code	System Power (W)	System Lumen (Lm)	CRI (Ra)	Color Temp (CCT)	Body Color	Beam Angle	Diming	Weight (Kg)
IFH50-080CU765GENXX	80	9600	70	6500K	Grey	120°	Non-Dim	6.3
IFH50-100CU765GENXX	100	12000	70	6500K	Grey	120°	Non-Dim	6.3
IFH50-120CU765GENXX	120	14400	70	6500K	Grey	120°	Non-Dim	6.3
IFH50-150CU765GENXX	150	18000	70	6500K	Grey	120°	Non-Dim	6.3
IFH50-080CU765GWNXX	80	9600	70	6500K	Grey	90°	Non-Dim	6.3
IFH50-100CU765GWNXX	100	12000	70	6500K	Grey	90°	Non-Dim	6.3
IFH50-120CU765GWNXX	120	14400	70	6500K	Grey	90°	Non-Dim	6.3
IFH50-150CU765GWNXX	150	18000	70	6500K	Grey	90°	Non-Dim	6.3
IFH50-080CU765GMNXX	80	9600	70	6500K	Grey	60°	Non-Dim	6.3
IFH50-100CU765GMNXX	100	12000	70	6500K	Grey	60°	Non-Dim	6.3
IFH50-120CU765GMNXX	120	14400	70	6500K	Grey	60°	Non-Dim	6.3
IFW50-150CU765GMNXX	150	18000	70	6500K	Grey	60°	Non-Dim	6.3

Note: 1-10V & DALI dimmable option available

Custom Order

Accessories

